

FRONT INSERTED MOUNTING PLATE EUPR/EUPA

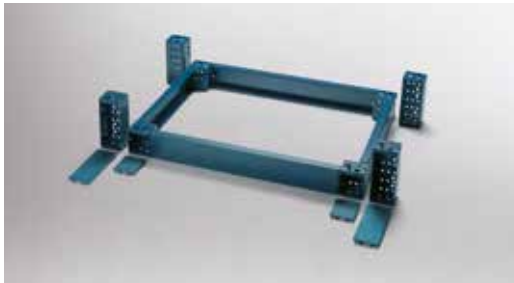
Manufactured from 2.5 mm thick sendzimir sheet steel. For L>1400: Mounting plate manufactured with two parts with horizontal union and stiffening omega.

Note: to be ordered separately: mounting plate kit WTKB-002.

Note: for the mounting plate H=800, in depth profile WTPR and mounting accessories WTSF-001CP have to be ordered separately.

PROFILES

WTPR CODE	CABINET DEPTH
WTPR-050040CP	400
WTPR-050050CP	500



MODULAR PLINTH EUZE

CHARACTERISTICS

Corner pieces manufactured from 2.5 mm thick press bent sheet steel, with PVC front covers caps. Front and side crosspieces manufactured from 2.0 mm thick press bent sheet steel.

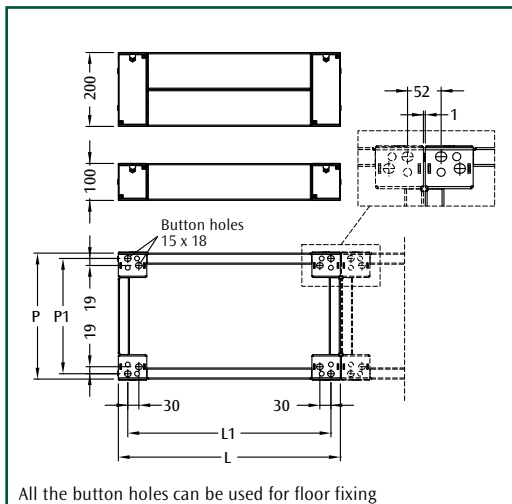
PAINT FINISH

ETA standard epoxy polyester powder coating.
Colour: RAL 5020 textured finish.

SUPPLY

The modular plinth is made up of:

- corner pieces: supply includes 4 pieces complete with front covers and mounting hardware
- front/rear crosspieces: supply includes 2 pieces
- side crosspieces: supply includes 2 pieces.



MOUNTING PLATE

EUPR / EUPA CODE	CABINET WIDTH	MOUNTING PLATE DIMENSIONS	
		L	H
EUPR-060080	600	485	800
EUPR-080080	800	685	800
EUPR-120080	1200	1085	800
EUPR-160080	1600	1485	800
EUPA-060140	600	485	1280
EUPA-080140	800	685	1280
EUPA-120140	1200	1085	1280
EUPA-160140	1600	1485	1280

UNIVERSAL CORNER PIECES

EUZE CODE	DESCRIPTION
EUZE-A100	CORNER PIECES FOR PLINTH H=100
EUZE-A200	CORNER PIECES FOR PLINTH H=200

Note: supply includes 4 pieces with mounting accessories.

SIDE CROSSPIECES FOR EUAL

EUZE CODE	DESCRIPTION	CROSS. LENGTH MM
EUZE-T0400T	PLINTH CROSSPIECES D=400	369
EUZE-T0500T	PLINTH CROSSPIECES D=500	469

FRONT CROSSPIECES

EUZE CODE	DESCRIPTION	CROSS. LENGTH MM
EUZE-T0600	PLINTH CROSSPIECES W=600	444
EUZE-T0800	PLINTH CROSSPIECES W=800	644
EUZE-T1200	PLINTH CROSSPIECES W=1200	1044
EUZE-T1600	PLINTH CROSSPIECES W=1600	1444

DIMENSIONAL SPECIFICATIONS

CABINET DIM.		PLINTH DIM.		CENT. DISTANCES	
L	P	L	P	L1	P1
600	400	600	503	549	474
600	500	600	603	549	574
800	400	800	503	749	474
800	500	800	603	749	574
1200	400	1200	503	1149	474
1200	500	1200	603	1149	574
1600	400	1600	503	1549	474
1600	500	1600	603	1549	574

Note: to order the front and side crosspieces H=200, add the suffix "D" to the code (i.e.: EUZE-T0400TD).

Note: supply includes 2 pieces.

Control desk